

Figure 1. Data Link Terminator (120-ohm resistor) Connection.

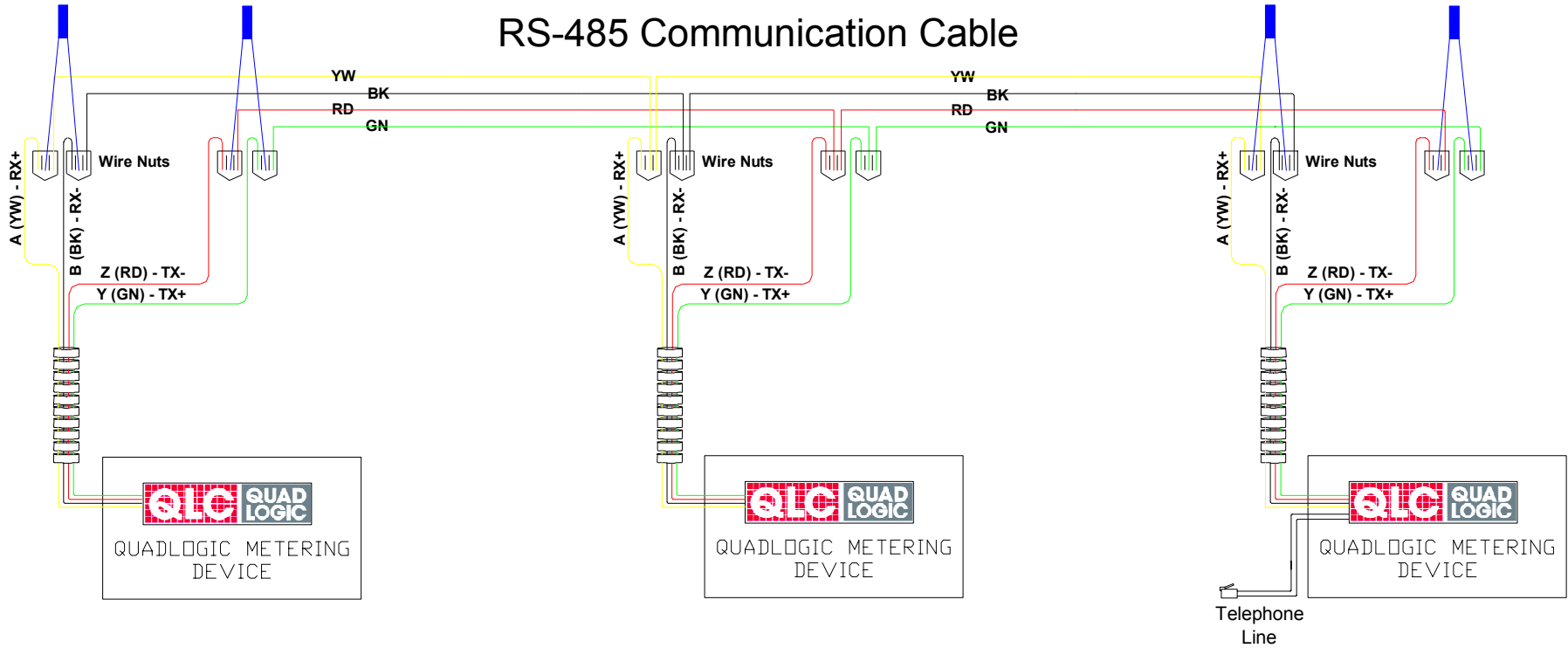
REVISIONS			
REV.	DESCRIPTION	DATE	APPROVED
1			

		Quadlogic Controls Corporation		TITLE MC5c/RSM5/ST5 RS-485	
SIGNATURES	DATE	SIZE	DRAWING	REV	
MODEL	JREA	07/10/08		17-RS485	REV 2
DETAIL					2.1.R
APPROVED	JKIM	07/10/08			
APPROVED			SCALE:		SHEET 1 of 2

Terminators

RS-485 Communication Cable

Terminators



Notes:

- 1) RS-485 cables must be connected in series (or Daisy Chain) with no "T" junction connections.
- 2) RS-485 cables must be a Belden 9842, Belden 3087A or Delco 43902 or an equivalent standard.
Cable runs must be less than 4000 ft (1219 m).
- 3) Terminating resistors are required at both ends of the data link. Each pair will need a 120-ohm resistor.
- 4) Follow local codes for Installation Requirement, e.g. Conduit, Fused Disconnect, Distance and Wiring.

REVISIONS			
REV.	DESCRIPTION	DATE	APPROVED
1			

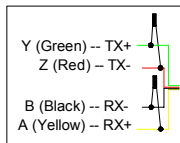


Figure 1. Data Link Terminator (120-ohm resistor) Connection.

		Quadlogic Controls Corporation TITLE MC5c/RSM5/ST5 RS-485	
SIGNATURES		DATE	
MODEL	JREA	07/10/08	
DETAIL		SIZE DRAWING	
APPROVED		17-RS485 REV2	
APPROVED		SCALE:	
		SHEET 2 of 2	