

REVISIONS			
REV.	DESCRIPTION	DATE	APPROVED
1			

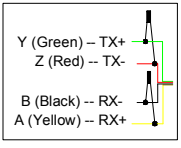


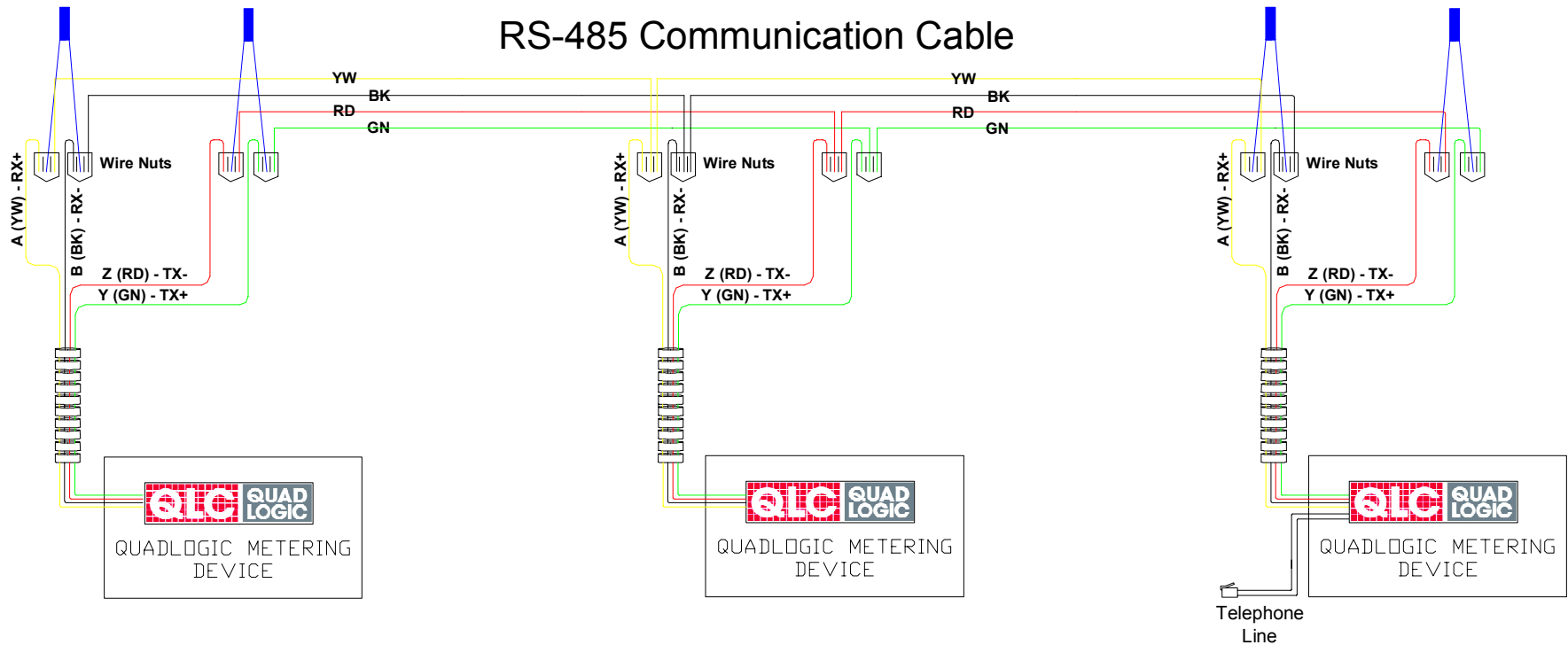
Figure 1. Data Link Terminator (120-ohm resistor) Connection.

		Quadlogic Controls Corporation TITLE MC5c/RSM5/ST5 MODEM
SIGNATURES	DATE	REV
MODEL	JREA	05/22/08
DETAIL		SIZE DRAWING
APPROVED	JKIM	08/12/08
APPROVED		SCALE:
		17-MODEM REV 2
		SHEET 1 of 2

Terminators

Terminators

RS-485 Communication Cable



Notes:

- 1) RS-485 cables must be connected in series (or Daisy Chain) with no "T" junction connections.
- 2) RS-485 cables must be a Belden 9842, Belden 3087A or Delco 43902 or an equivalent standard.
Cable runs must be less than 4000 ft.
- 3) Terminating resistors are required at both ends of the data link. Each pair will need a 120-ohm resistor.
- 4) Follow local codes for Installation Requirement, e.g. Conduit, Fused Disconnect, Distance and Wiring.

REVISIONS			
REV.	DESCRIPTION	DATE	APPROVED
1			

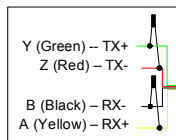


Figure 1. Data Link Terminator (120-ohm resistor) Connection.

		TITLE MC5c/RSM5/ST5 MODEM	
SIGNATURES		DATE	
MODEL	JREA	06/25/06	
DETAIL		SIZE: DRAWING	
APPROVED	JKIM	17-MODEM REV2	
APPROVED		SCALE:	REV 2.0.R
			SHEET 2 of 2